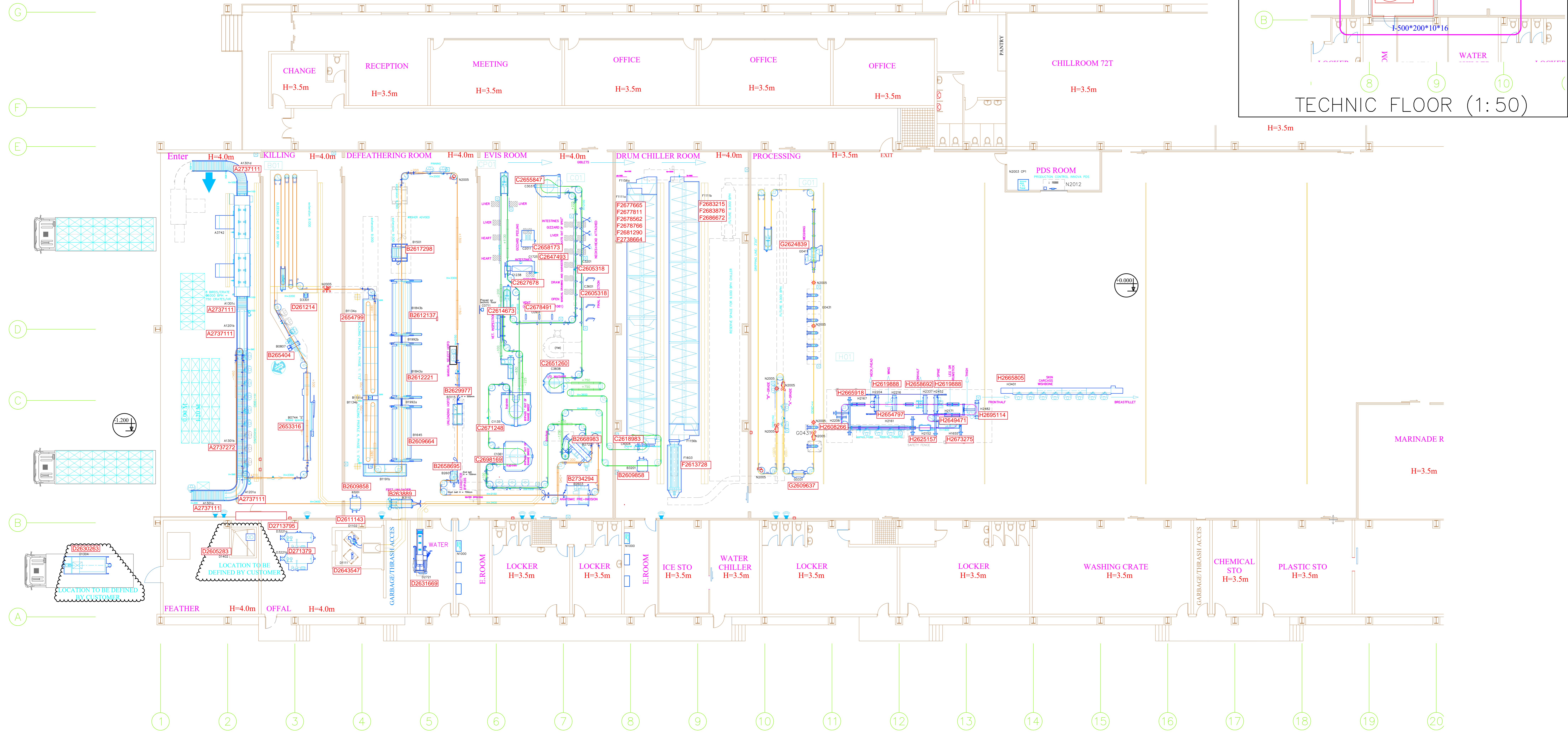
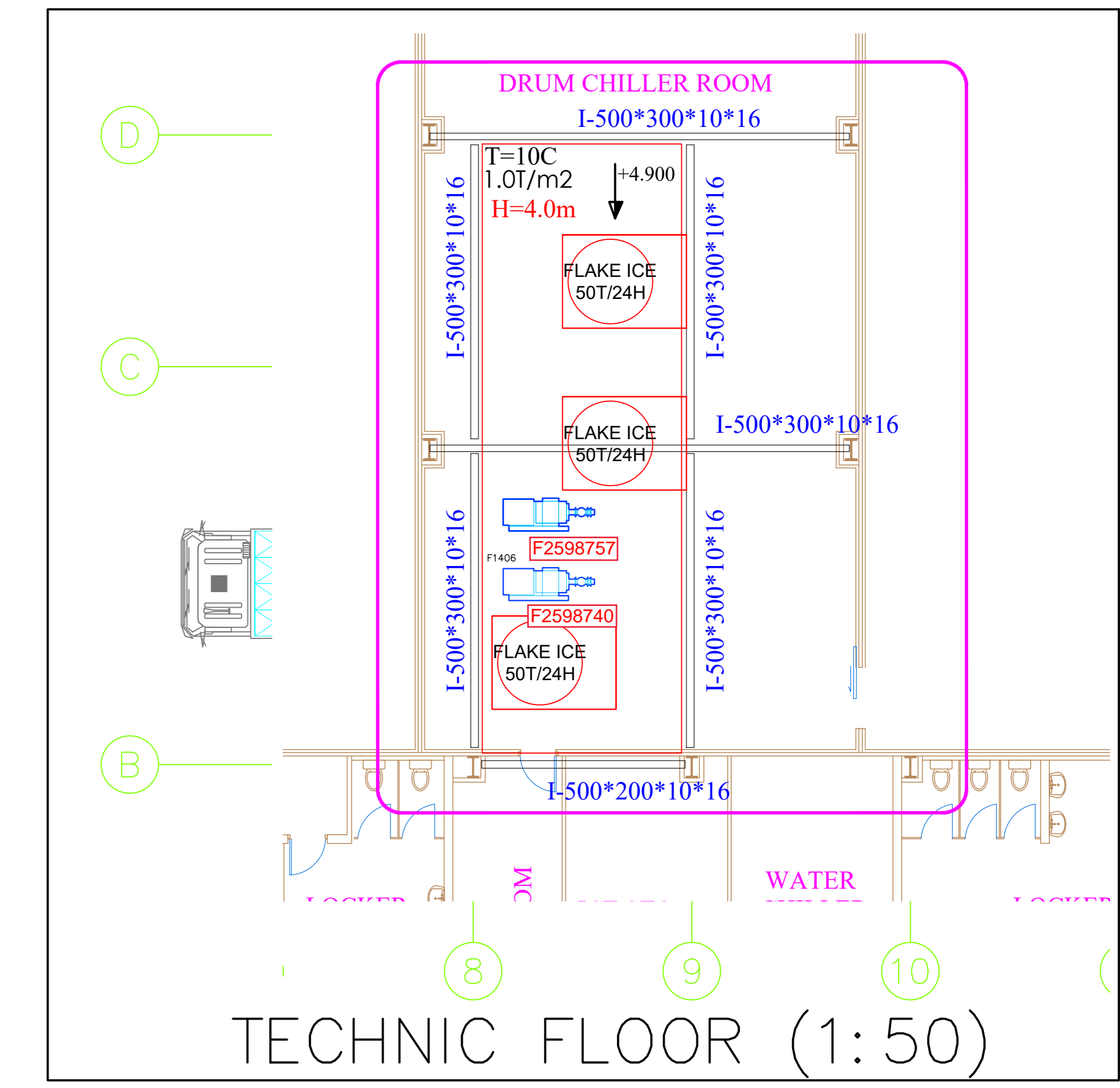
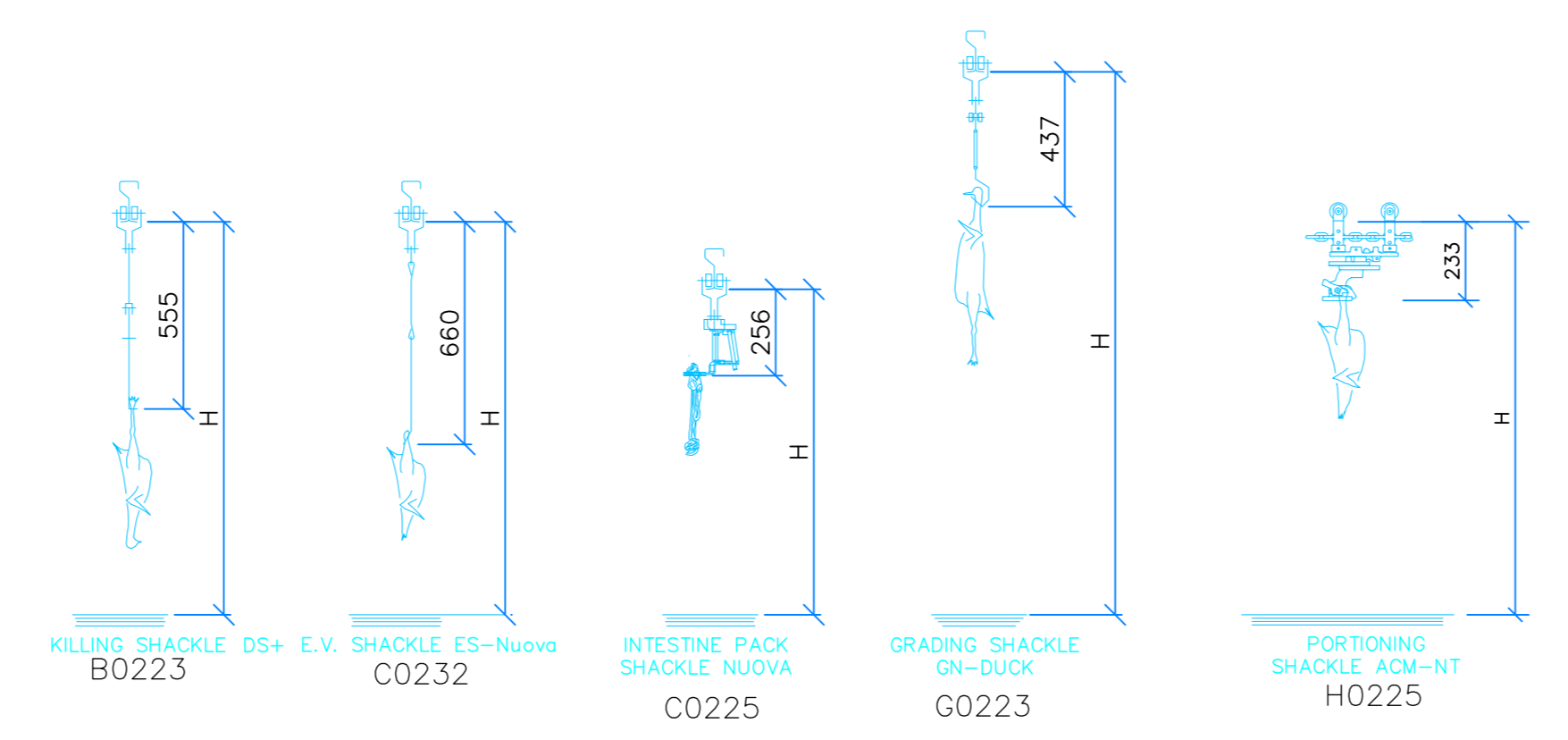
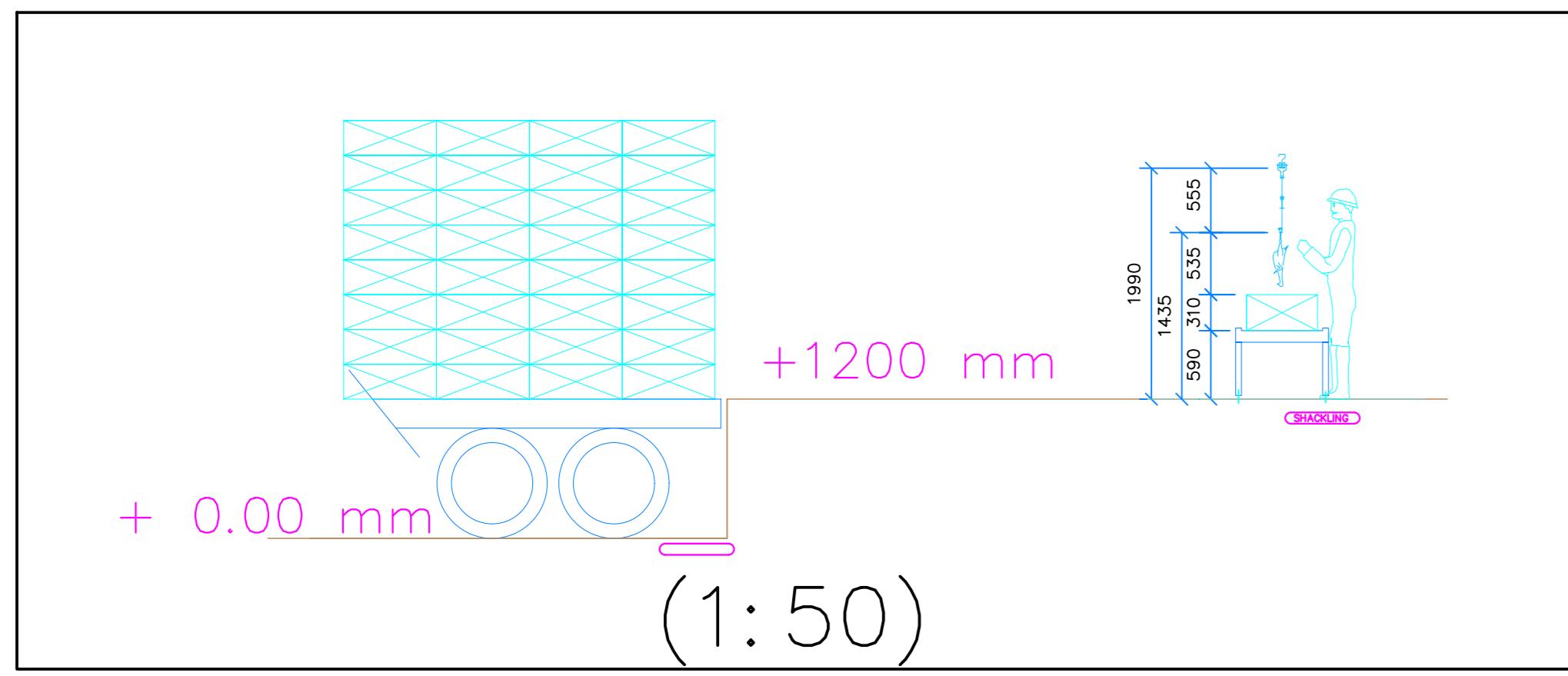


REV.	POS.	MODIFICATION DESCRIPTION	NAME	DATE	ACCORD
B		CHANGE E011 TO TECHNICAL FLOOR ADJUST BUILDING	A_BESET	28.01.21	J_KOERTS
C		UPDATED OUTLINE EXTENDED H=4M	D_LUKASSEN	27.01.21	
D		CHANGE TRACKHEIGHT AT B3115 SMALL CHANGES TO LAYOUT	A_BESET	31.01.21	D_LUKASSEN



REVISIONS	CUSTOMER	COUNTRY	ALL DIMENSIONS SPECIFIED IN
QUOTATION / ORDER NO. 43203	JAPFA COMFEED PHUOC PROVINCE	VIETNAM	MM
TECHNO	CUSTOMER NO. 17158	CONFIDENTIAL	
REF NO. 4048003			
GENERAL LAY OUT			
PROCESSING PLANT			
BROILER	6000	ph	ph
DRAWING AND MANUFACTURE ACCORDING TO STANDARDS		SCALE	DRAWN BY
A0		1:100	A_BESET
7333417		D	DATE (RRMMYY)
			23.06.2021
			ACCORD
			J_KOERTS
			Date StatusChange 18.01.2022
			SHEET NO.
			1 of 1